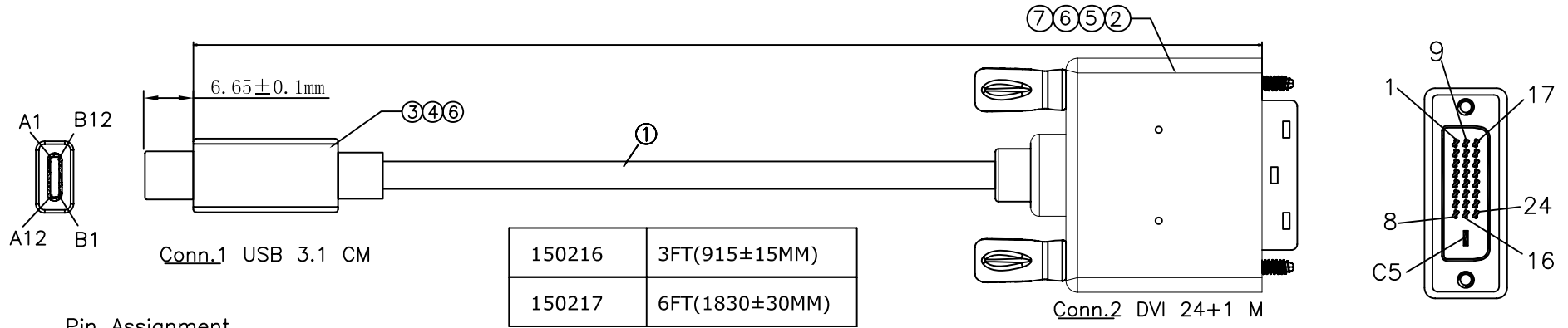


NOTE:ALL MATERIAL COMPLIANT ROHS STANDARD

REVISION INFORMATION			
Rev.	Rev. Date	Modified By	Brief Description

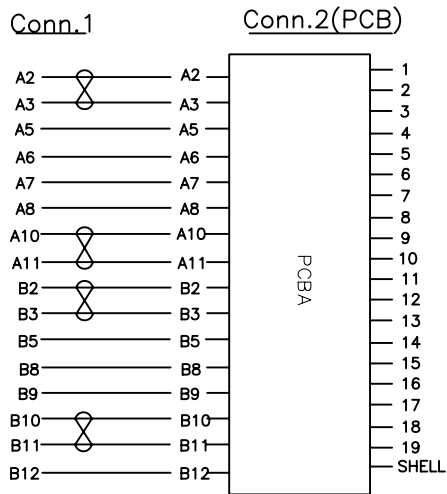


Conn.1 USB 3.1 CM

150216	3FT(915±15MM)
150217	6FT(1830±30MM)

Conn.2 DVI 24+1 M

Pin Assignment



Marking: E468041 AWM STYLE 2725 80° C 30V VW-1 SUPER HIGH SPEED USB Revision 3.1

Electrical performance test: TYPE C to DVI machine testing

- 1.The video has no signal jitter, smearing, ghosting, missing color and other abnormal displaying.
2. TV or monitor:4K*2K/30HZ

7	screw	2	PCS
6	45P PVC WHITE	16	G
5	PE	6	G
4	Plastic Hood for TYPE C, Material: ABS , Color: WHITE	1	PCS
3	USB3.1 (C) M Solder Type Shell GOLD, ecru Insulation	1	PCS
2	TYPE C TO DVI 24+1 M PCBA(IC:8711) Shell GOLD,Black Insulation	1	PCS
1	USB3. 1(32#(7/0.08T)*1P+D(7/0.08T)+AL+MY)*4P+32#(7/0.08T)*1P+32#(7/0.08T)*4C+22#(65/0.08T)*2C+F+AB(16/9/0.8TC) OD:4.5MM PVC WHITE	1	PCS
NO	DESCRIPTION	Q'TY	UNIT

Unless specified on the drawing, tolerances are per the follows:

.	+1
.x	+0.2
.xx	+0.05



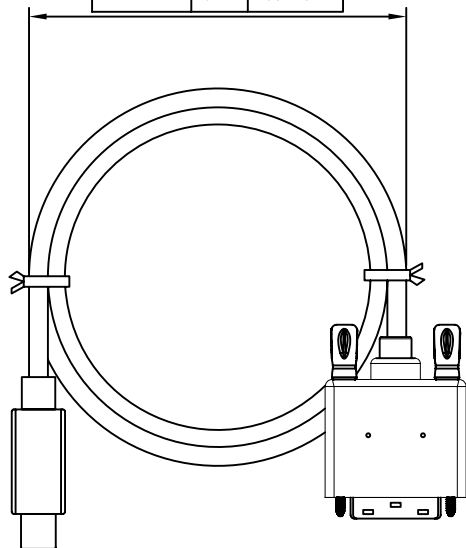
DRAWN BY	DATE: 2017.6.1	DESCRIPTION: USB 3.1 Type C Male TO DVI 24+1 M	
CHECKED BY	SHEET 1 of 2	ITEM NO. 150XXX	
APPROVED BY	SCALE 1:1	REV. 00	UNIT:mm

NOTE:ALL MATERIAL COMPLIANT ROHS STANDARD

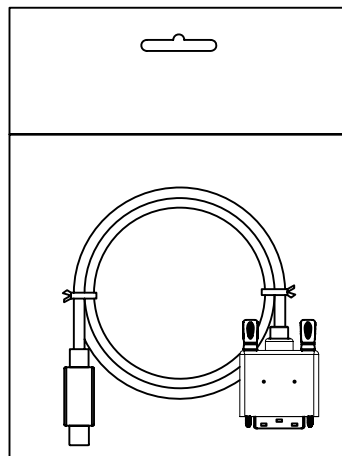
REVISION INFORMATION

Rev.	Rev. Date	Modified By	Brief Description

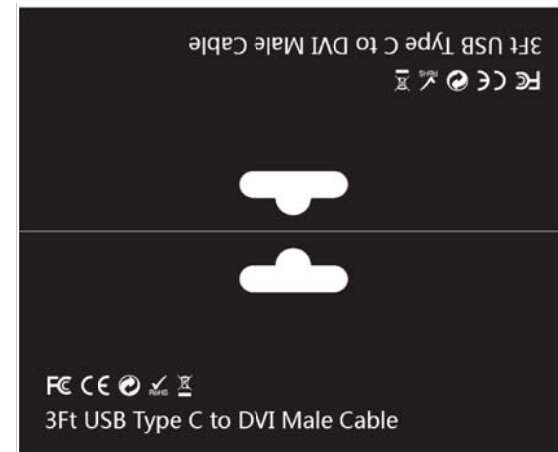
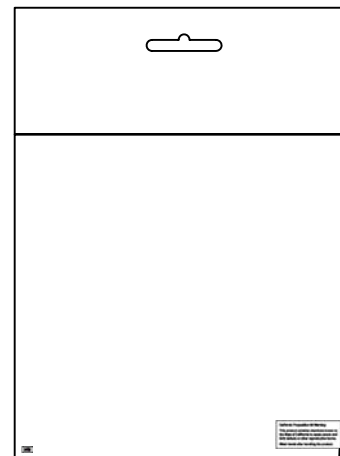
150216	3FT	100±10MM
150217	6FT	130±10MM



Front



Back





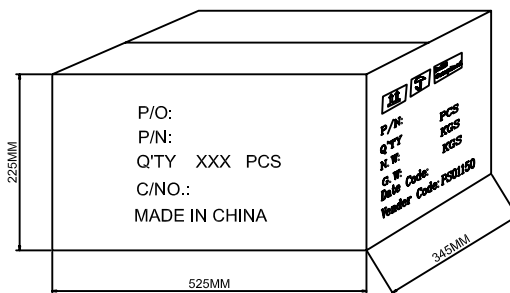
Demention: 160*65MM

Main Mark:

P/O:
P/N:XXXXX
Q'TY PCS
C/NO.:
MADE IN CHINA

SIDE MARK:

  RoHS Compliant
P/N:
Q'TY XXX PCS
N.W: XXX KGS
G.W: XXX KGS
Date Code:
Vender Code:PS01150

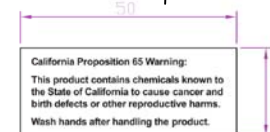


ITEM NO	size	PCS/box	N.W	G.W
150216	3FT	100PCS/box	8.4KG	9.1KG
150217	6FT	60PCS/box	10.1KG	10.8KG

10MM

04C

5MM



Carton Size: L20.67"*W13.58"*H8.86"
Carton Weight: 1.54LBS

BESTLINK
NETWORKARE

DRAWN BY

DATE:
2017.6.1

DESCRIPTION:

USB 3.1 Type C Male TO DVI 24+1 M

CHECKED BY

SHEET 1 of 2

ITEM NO. 150XXX

APPROVED BY

SCALE 1:1

REV. 00

UNIT:mm



Unless specified on the drawing, tolerances are per the follows:

. +1
.x +0.2
.xx +0.05